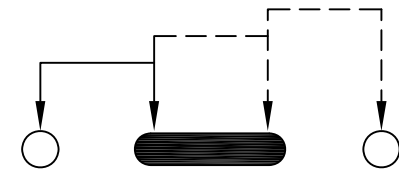
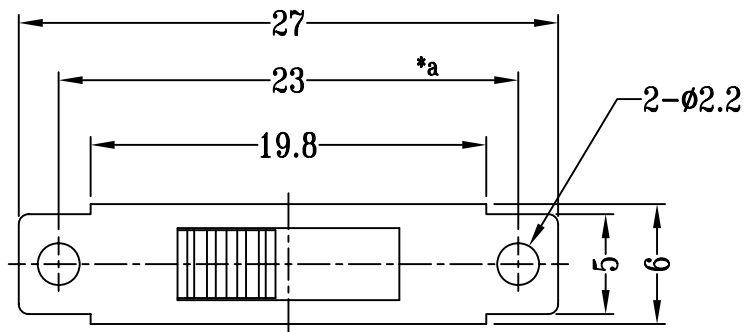
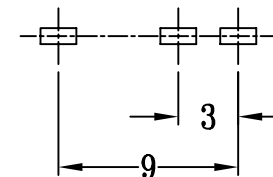
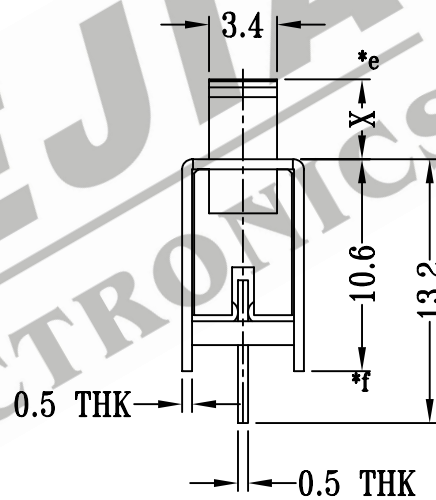
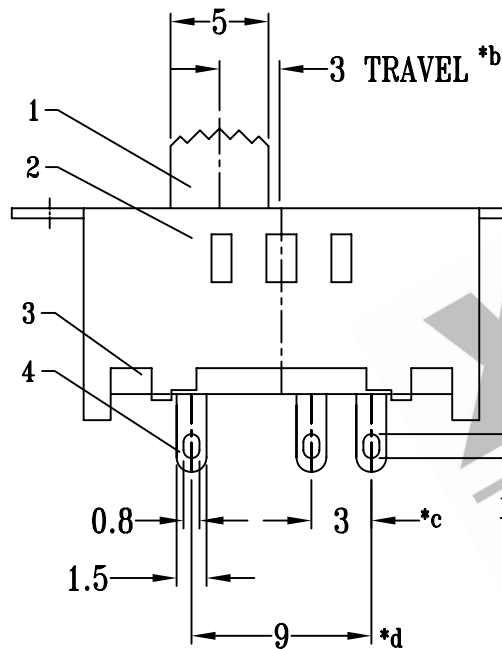


CAD FILE:



SCHEMATIC (NON-SHORTING)



P.C.B LAYOUT

注:带"*"表示关键尺寸(6个)

| NO. | PARTS | MATERIALS | Q'TY | FINISH | TOLERANCE UNLESS SPECIFIED | SHENZHEN XIEJIA ELECTRONICS CO.,LTD. | | | | | |
|-----|----------------|----------------|------|--------------------------|----------------------------|---|--|------------|----------------------------|--------------------------|-----------|
| 8 | | | | | | ISSUE | | DATE | | DESCRIPTIONS OF REVISION | APPD. |
| 7 | STEEL BALL | STEEL | 1 | NATURAL | WITHIN: 1.5±0.1mm | TITLE : VERTICAL SLIDE SWITCH | | UNIT : mm | DRWG NO.: XJ-DR-SS13F17-00 | | |
| 6 | SPRING | STEEL WIRE | 1 | TEMPER | OVER : 1.5±0.2mm | MODEL: SS-13F17 | | SCALE: 5:2 | DWN. | ZHOUYU | 2004-8-16 |
| 5 | CONTACT (CLIP) | PBS STRIP | 1 | Ag PLATED | | ALL MATERIALS MUST BE COMPLIANT TO ROHS | | | CHK'D | FANGYING | 2004-8-16 |
| 4 | TERMINAL | BRASS STRIP | 3 | Ag PLATED OVER Ni PLATED | | | | | APPD. | KANGXINAN | 2004-8-16 |
| 3 | TERMINAL BASE | PHENOLIC RESIN | 1 | BLACK | | | | | | | |
| 2 | FRAME | STEEL STRIP | 1 | BLACK | | | | | | | |
| 1 | KNOB | POM | 1 | BLACK | | | | | | | |